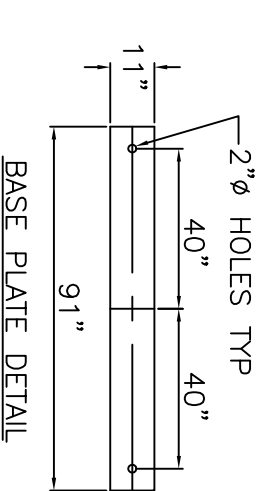
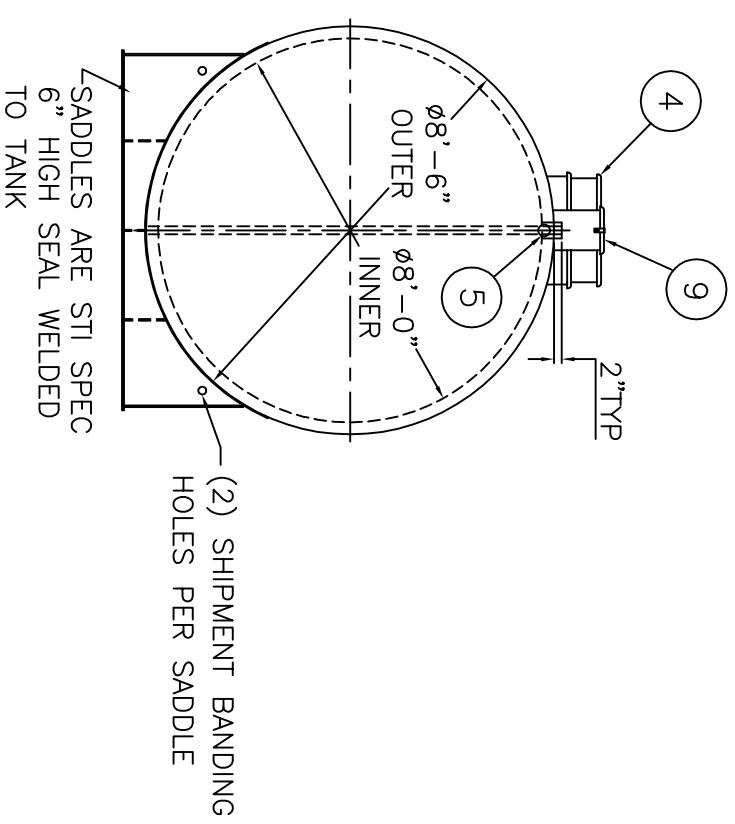
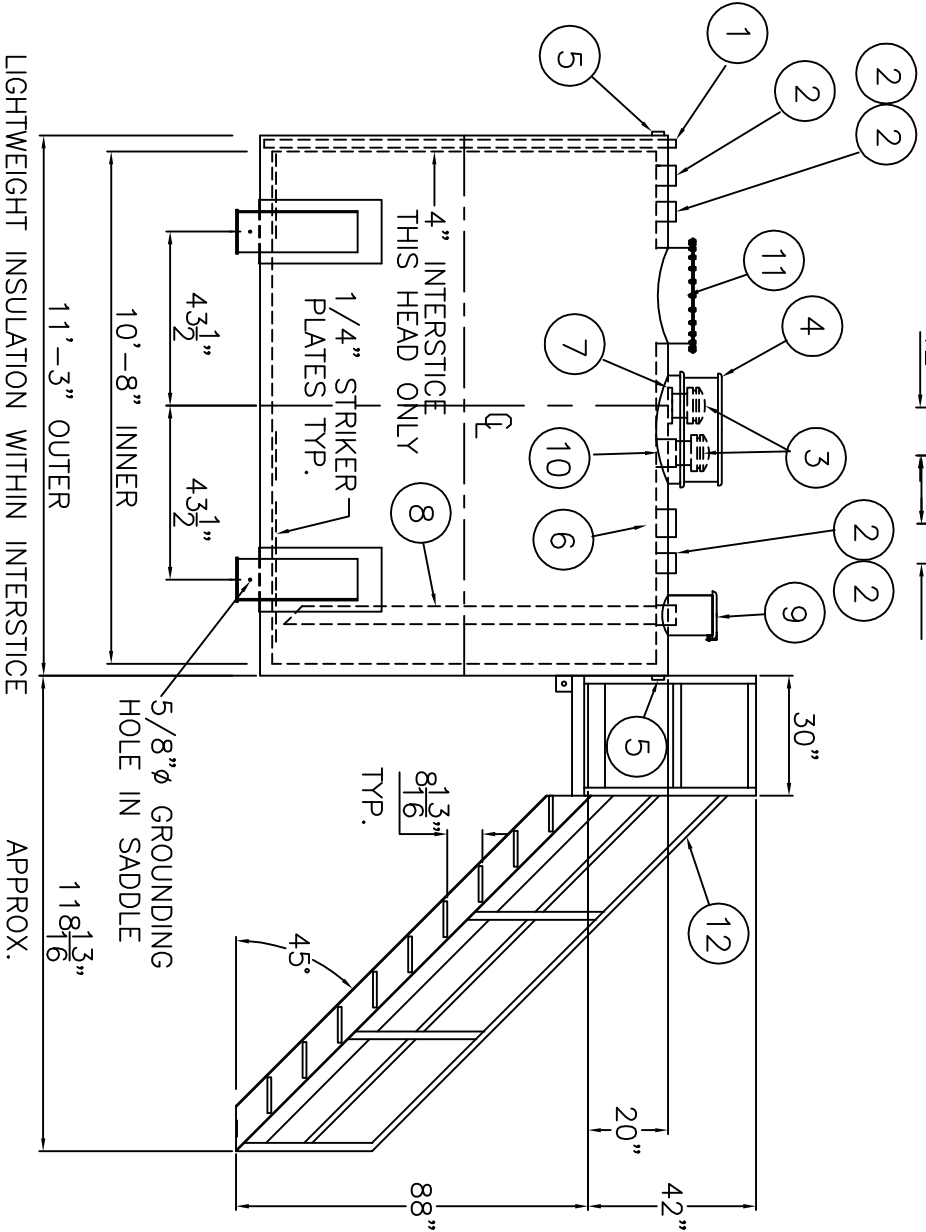
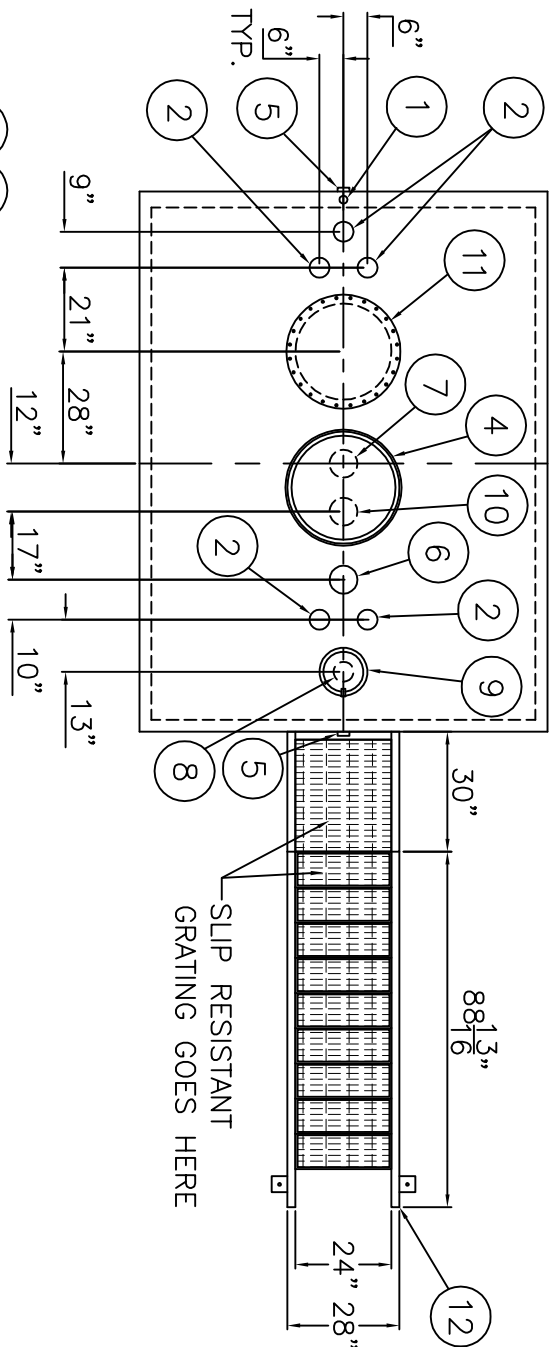


NOTE: ALL RIGHTS RESERVED. THIS DRAWING MUST NOT BE REPRODUCED IN ANY FORM WITHOUT THE WRITTEN PERMISSION OF HIGHLAND TANK®. HIGHLAND TANK® SHALL BE RESPONSIBLE ONLY FOR ITEMS INDICATED ON THIS FABRICATION DRAWING UNLESS OTHERWISE NOTED. CUSTOMER IS RESPONSIBLE FOR VERIFYING CORRECTNESS OF SIZE AND LOCATION OF FITTINGS, ACCESSORIES, AND COATINGS SHOWN ON THIS DRAWING.

TOUCH UP OF FINISHED PAINT IS REQUIRED BY INSTALLATION CONTRACTOR. TOUCH UP PAINT SHIPPED WITH TANK.



DESIGN DATA	
CAPACITY :	4,000 GALLON
TYPE:	FIREGUARD® CYLINDRICAL
FIREGUARD® IS A TRADEMARK OF THE STEEL TANK INSTITUTE	
NO. REQ. --	--
OPERATING PRESSURE --	ATMOSPHERIC
TANK MATERIAL --	MILD CARBON STEEL
THICKNESS --	INNER-- HEADS: 5/16", SHELL: 1/4"
THICKNESS --	OUTER-- HEADS: 5/16", SHELL: 1/4"
MIN. GAUGE OR THICKNESS (PER U.L. 2085)	
CONSTRUCTION --	INNER -- LAP WELD OUTSIDE ONLY
CONSTRUCTION --	OUTER -- LAP WELD OUTSIDE ONLY
TANK TEST --	PER UL 2085
INT. FINISH --	NONE
EXT. FINISH --	SP-6 BLAST, FINISH PAINT WHITE
LABEL --	UL 2085 AND FIREGUARD® PER sti

NOTE: ALL DIMENSIONS APPROXIMATE

SHIP LOOSE  
(2) 6" MALE THREADED EMERGENCY VENTS

ITEM	QTY	DESCRIPTION	ITEM	QTY	DESCRIPTION
1	1	2" INTERSTITIAL MONITOR PIPE - MALE NPT END	6	1	6" FEMALE FIREGUARD COUPLING
2	5	4" FEMALE FIREGUARD COUPLING	7	1	6" FITTING THROUGH OUTER SHELL ONLY, MARK WITH SPECIAL WARNING LABEL INTERSTITIAL EMERGENCY VENT USE ONLY
3	2	6" EMERGENCY VENT	8	1	4" FEMALE FIREGUARD COUPLING w/ 4" DROP PIPE TO WITHIN 6" OF THE BOTTOM OF THE TANK WITH 45° MITER
4	1	VENT DEFLECTOR ASSEMBLY	9	1	FILL CONTAINMENT CHAMBER
5	2	2" FITTING THROUGH OUTER SHELL ONLY WITH CAST IRON PLUG- MFG USE ONLY			

LIGHTWEIGHT INSULATION WITHIN INTERSTICE

APPROX.

**AREO-POWER®**  
U.S. PATENT # 4895272 CANADIAN PATENT APPLIED FOR

4,000 GAL 96" Ø CYL. FIREGUARD®

PATENT: 5,695,089 PATENT: 5,809,650  
CUSTOMER:

PROJECT:

QUOTE NO.:

SCALE: 1/4"=1'-0" DATE: DVG. BY: DVG. NR.:  
AP4000FCG96CYL