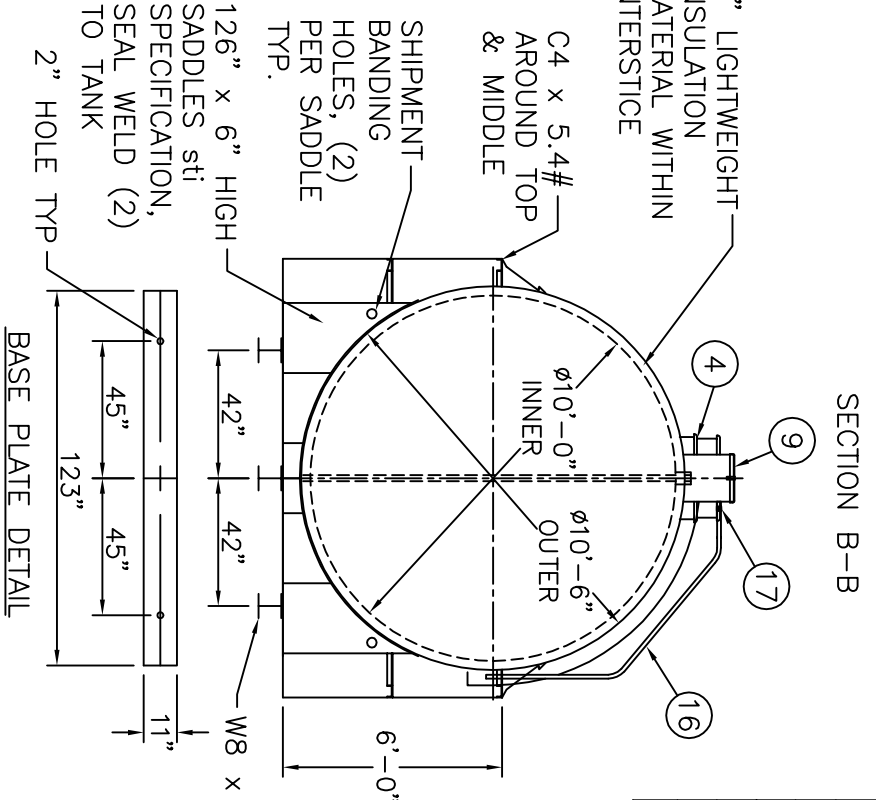
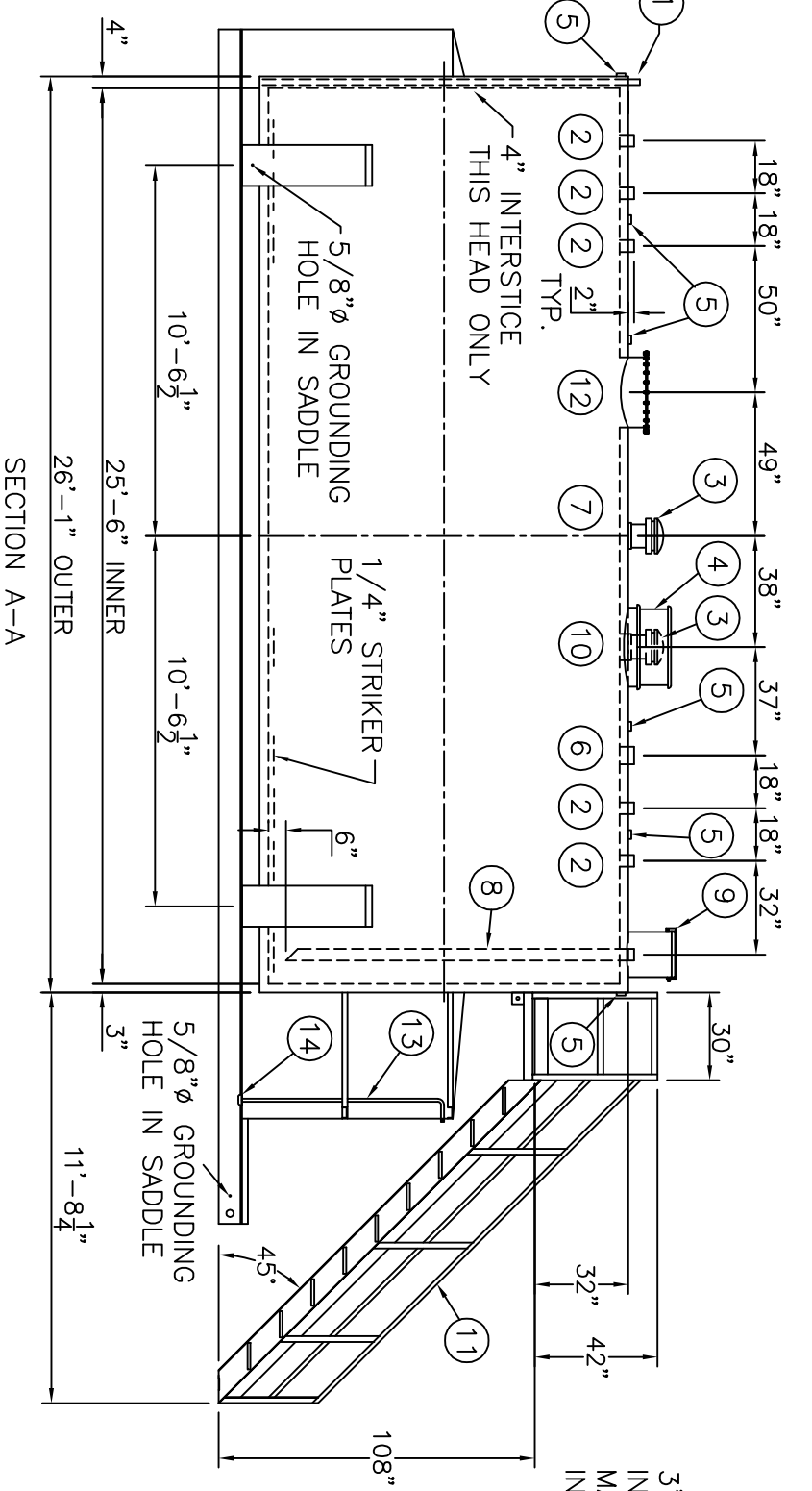
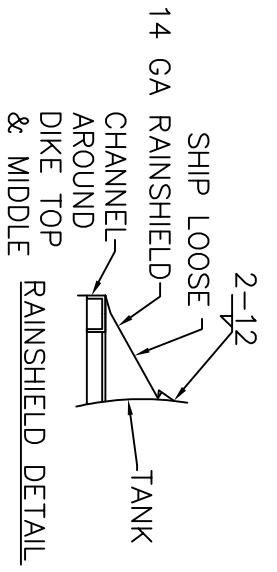
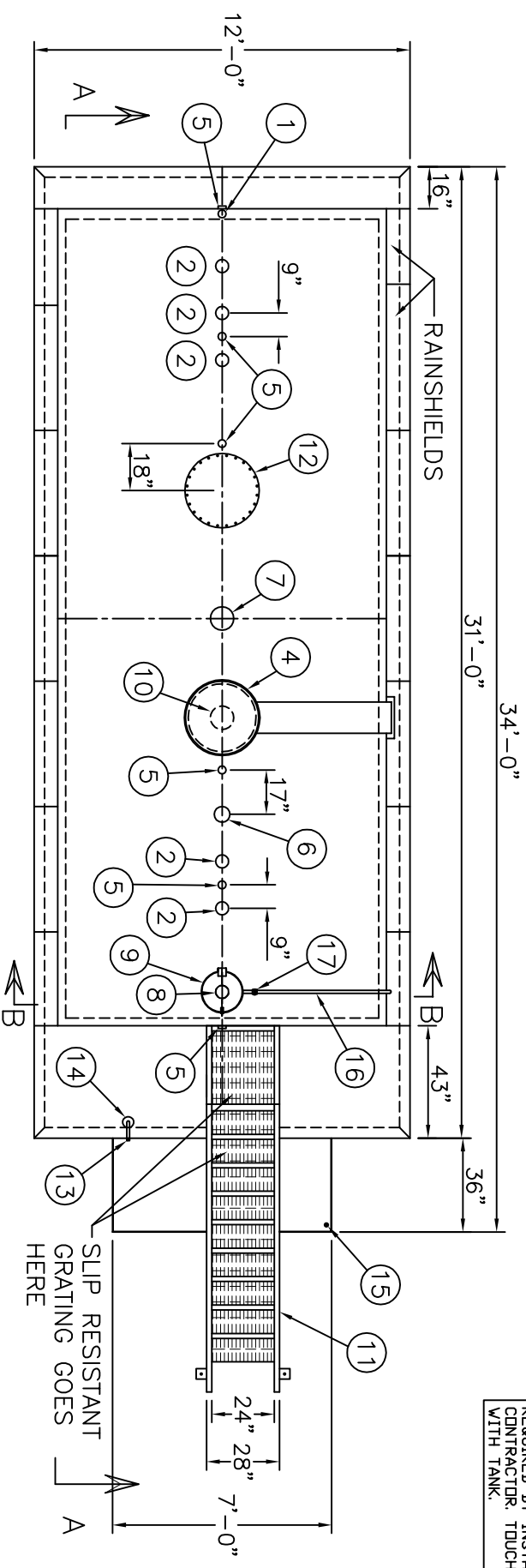


TOUCH UP OF FINISHED PAINT IS REQUIRED BY INSTALLATION CONTRACTOR. TOUCH UP PAINT SHIPPED WITH TANK.

NOTE: ALL RIGHTS RESERVED. THIS DRAWING MUST NOT BE REPRODUCED IN ANY FORM WITHOUT THE WRITTEN PERMISSION OF AREO-POWER®. AREO-POWER® SHALL BE RESPONSIBLE ONLY FOR ITEMS INDICATED ON THIS FABRICATION DRAWING UNLESS OTHERWISE NOTED. CUSTOMER IS RESPONSIBLE FOR VERIFYING CORRECTNESS OF SIZE AND LOCATION OF FITTINGS, ACCESSORIES, AND COATINGS SHOWN ON THIS DRAWING.



SECTION B-B

SECTION A-A

DESIGN DATA	
CAPACITY :	14,982 GALLONS
TYPE:	FIREGUARD® CYLINDRICAL
FIREGUARD® IS A TRADEMARK OF THE STEEL TANK INSTITUTE	
NO. REQ. --	--
OPERATING PRESSURE --	ATMOSPHERIC
TANK MATERIAL --	MILD CARBON STEEL
THICKNESS -- INNER -- HEADS:	5/16", SHELL: 1/4"
THICKNESS -- OUTER -- HEADS:	5/16", SHELL: 1/4"
MIN. GAUGE OR THICKNESS (PER U.L. 2085)	
CONSTRUCTION -- INNER --	LAP WELD OUTSIDE ONLY
CONSTRUCTION -- OUTER --	LAP WELD OUTSIDE ONLY
TANK TEST -- PER U.L. 2085	
INT. FINISH --	NONE
EXT. FINISH --	SP-6 BLAST, FINISH PAINT WHITE
LABEL --	UL 2085 AND FIREGUARD® PER sti

DIKE DESIGN DATA	
CAPACITY --	16,696 GALLONS
TANK MATERIAL --	MILD CARBON STEEL
THICKNESS --	ALL -- 1/4"
CONSTRUCTION --	WELDED INSIDE & OUTSIDE
FINISH --	ALL -- SAME AS TANK EXTERIOR

- NOTE: ALL DIMENSIONS APPROXIMATE
- SHIP LOOSE
 - (2) 8" MALE THREADED EMERGENCY VENTS
 - (1) VENT DEFLECTOR

ITEM	QTY	DESCRIPTION	ITEM	QTY	DESCRIPTION
1	1	2" MONITOR PIPE WITH MALE NPT END	7	1	8" FITTING THROUGH OUTER SHELL ONLY, MARK WITH SPECIAL WARNING LABEL INTERSTITIAL EMERGENCY VENT USE ONLY
2	5	4" FEMALE FG COUPLING	8	1	4" FEMALE FG COUPLING w/ 4" DROP PIPE TO WITHIN 6" OF THE BOTTOM OF THE TANK, MITER 45°
3	2	8" EMERGENCY VENT	9	1	FILL CONTAINMENT CHAMBER
4	1	EMERGENCY VENT PROTECTION HOOD & CHUTE	10	1	8" FEMALE FG COUPLING (PRIMARY VENT USE)
5	6	2" FITTING THROUGH OUTER SHELL ONLY WITH CAST IRON PLUG-- MFG USE ONLY	11	1	24" WIDE x 108" STAIRS w/ 1" FIBERGLASS GRATING, BOLT TO TANK, PAINT: SAFETY YELLOW, SHIP LOOSE, INSTALLATION ON SITE BY OTHERS.
6	1	6" FEMALE FG COUPLING	12	1	24" x 1/4" PLATE TIGHT BOLT MANWAY WITH 1/8" THICK NEO-CORK GASKET
			13	1	3/4" PUMPOUT PIPE
			14	1	3" PIPE CAP SUMP
			15	1	1/2" DRAIN FITTING
			16	1	1" OVER FLOW PIPE
			17	1	1" PIPE UNION

AREO-POWER®

PATENT NUMBER 5346093

15,000 GAL 120" Ø CYL. FIREGUARD® DIKE

PATENT: 5,695,089 PATENT: 5,809,650

CUSTOMER:

PROJECT:

QUOTE NO:

SCALE: 3/16"=1'-0"

DATE:

DWG. BY:

CHK'D BY:

DWG. NO:

AP15000FC120DIKE