

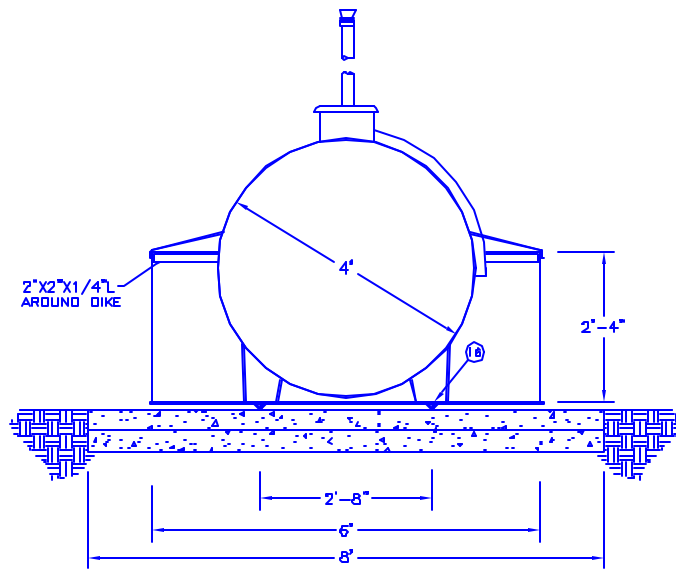
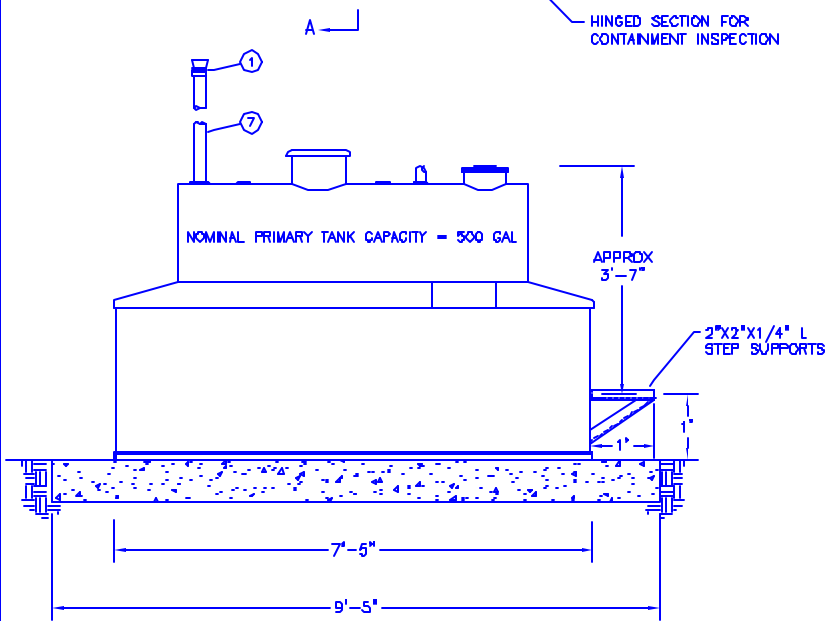
8" THICK CONCRETE PAD REINFORCED WITH 8"X6" #10X#10 WWM. CONCRETE TO HAVE COMPRESSIVE STRENGTH OF 3500 PSI AT 28 DAYS.

SLIP RESISTANT FIBERGLASS GRATE GOES HERE

RAINSHIELD WELDED TO PRIMARY TANK

SECTION A-A

ITEM	DESCRIPTION
①	3" NORMAL VENT CAP - AREO MODEL M002
②	2"-8 DZ. EMERGENCY VENT - AREO MODEL M028
③	EMERGENCY VENT OVERFLOW CHUTE
④	VENT DEFLECTOR ASSEMBLY
⑤	SPARE 2" FITTING
⑥	2" LEVEL GAUGE - AREO MODEL M028
⑦	3" SCH 40 PIPE 8' SUPPLIED, CUT TO SUIT
⑧	
⑨	
⑩	6" FILL HATCH WITH REMOVABLE STRAINER
⑪	
⑫	
⑬	
⑭	
⑮	
⑯	1 1/2" L (2)



NOTES

1. PRIMARY TANK;
SHELL - 12 GA. HEAD - 12 GA.
CONTAINMENT: 12 GA.
2. MATERIAL - MILD CARBON STEEL
3. TEST AT 5-7 PSIG.
4. ENTIRE UNIT UL LISTED.
5. CONTAINMENT CAPACITY > 150%
5. EXTERIOR FINISH - SP7 BLAST AND EPOXY FINISH COAT
6. ALL DIMENSIONS ARE APPROXIMATE

All rights reserved. This drawing or any part thereof must not be reproduced in any form without the written permission of Areo-Power Limited Fueler, Inc.

AREO-POWER®

TITLE	AREO-POWER GENERIC 500 GAL. WASTE OIL UNIT	REV #	REV DATE
U.S. PATENT #	4896272	CANADIAN PATENT APPLIED FOR	
SCALE	DATE	DRAWN BY	DWG. NO.
1/2"=1'	2/19/83	JF	APB1 D57