

ITEM	DESCRIPTION
①	3" NORMAL VENT FITTING
②	2" SPARE FITTING
③	2" EMERGENCY VENT -- SHIPPED LOOSE
④	2" GAUGE FITTING
⑤	2" FILL FITTING
⑥	3" PIPE STUB
⑦	4" PIPE STUB
⑧	1/2" PLUGGED FITTING
⑨	4" ACCESS FITTING WITH PLUG
⑩	3" CHANNEL SUPPORTS
⑪	CONTAINMENT COVER HASP (3)

AUTHORIZATION

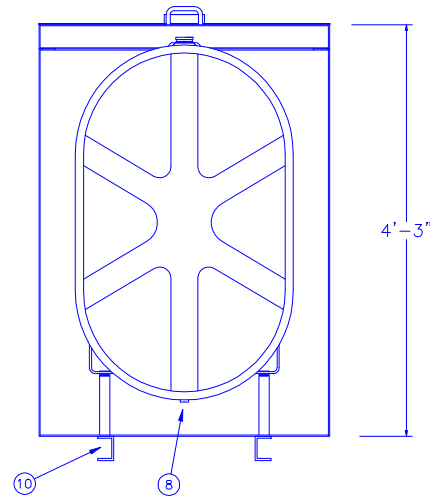
COMPANY NAME _____

APPROVED BY (PLEASE PRINT) _____

APPROVAL SIGNATURE _____

DATE _____ CONTRACT NO. _____

SECTION A-A



- NOTES
1. PRIMARY TANK - UL142 LISTED
SHELL - 12 GA HEAD - 12 GA
CONTAINMENT - 10 GA
 2. MATERIAL - MILD CARBON STEEL
 3. TEST AT 5-7 PSIG.
 4. CONTAINMENT CAPACITY = 195 %
 5. EXTERIOR FINISH -
 6. ALL DIMENSIONS APPROXIMATE

All rights reserved. This drawing or any part thereof must not be reproduced in any form without the written permission of Areo-Power Unitized Fueler, Inc.

AREO-POWER®

TITLE	REV #	REV DATE
AREO-POWER MODEL 275R		
U.S. PATENT # 4895272	CANADIAN PATENT APPLIED FOR	
SCALE 3/4"=1'	DATE 8/1/92	DWG. NO. APS510
	DRAWN BY JF	