

ITEM	DESCRIPTION
①	3" NORMAL VENT FITTING
②	2"-8 OZ. EMERGENCY VENT - SHIP LOOSE
③	EMERGENCY VENT OVERFLOW CHUTE
④	VENT DEFLECTOR ASSEMBLY
⑤	2" FITTING
⑥	_____
⑦	_____
⑧	_____
⑨	_____
⑩	8" FILL HATCH WITH REMOVABLE STRAINER
⑪	_____
⑫	_____
⑬	_____
⑭	_____
⑮	_____
⑯	1 1/2" L (2)

AUTHORIZATION

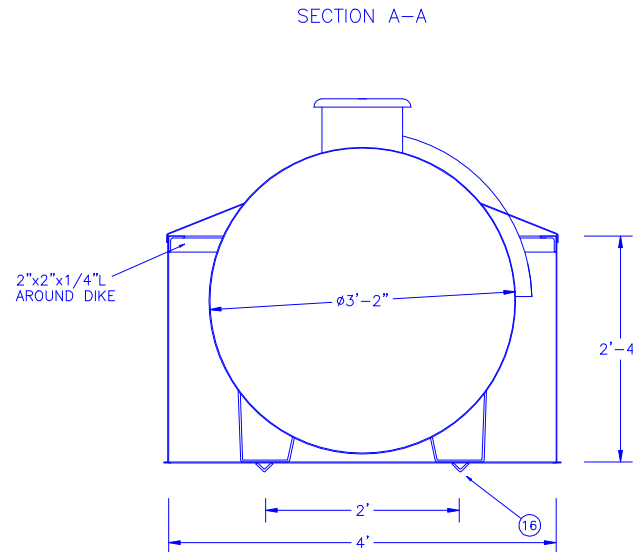
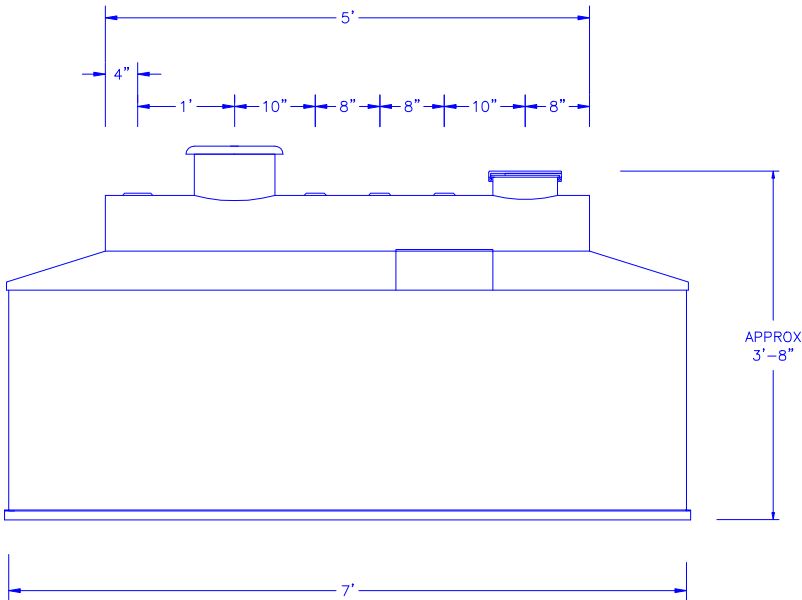
COMPANY NAME

APPROVED BY (PLEASE PRINT)

APPROVAL SIGNATURE

DATE

CONTRACT NO.



- NOTES
- PRIMARY TANK:
SHELL - 12 GA. HEAD - 12 GA.
CONTAINMENT: 12 GA.
 - MATERIAL - MILD CARBON STEEL
 - TEST AT 5-7 PSIG.
 - ENTIRE UNIT UL LISTED.
 - EXTERIOR FINISH -
 - ALL DIMENSIONS APPROXIMATE.

All rights reserved. This drawing or any part thereof must not be reproduced in any form without the written permission of Areo-Power Unitized Fueler, Inc.

AREO-POWER®

TITLE 300 GAL. AREO-POWER TANK MODEL 3048W		REV #	REV DATE
U.S. PATENT # 3/4"=1'	DATE 8/1/92	CANADIAN PATENT APPLIED FOR JF	DWG. NO. APB540