

ITEM	DESCRIPTION
①	3" NORMAL VENT FITTING
②	2"-8 OZ. EMERGENCY VENT - SHIP LOOSE
③	EMERGENCY VENT OVERFLOW CHUTE
④	VENT DEFLECTOR ASSEMBLY
⑤	2" FITTING
⑥	_____
⑦	_____
⑧	_____
⑨	_____
⑩	8" FILL HATCH WITH REMOVABLE STRAINER
⑪	_____
⑫	_____
⑬	_____
⑭	_____
⑮	_____
⑯	1 1/2" L (2)

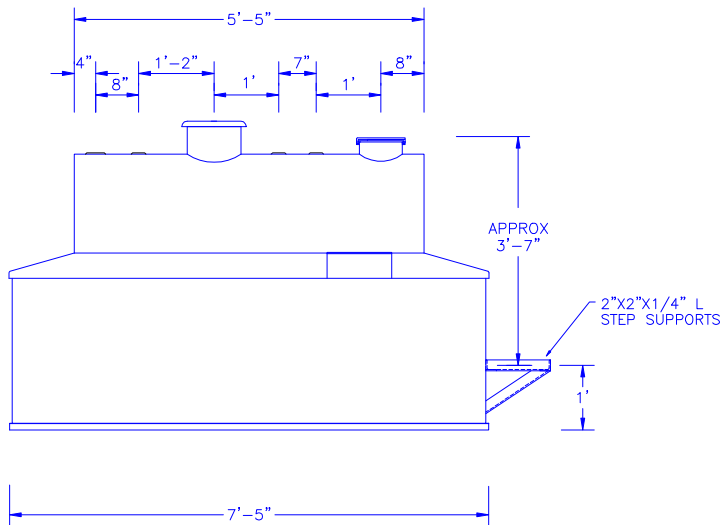
AUTHORIZATION _____

COMPANY NAME _____

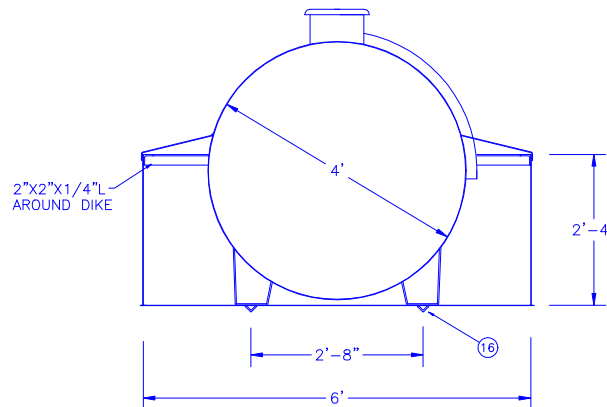
APPROVED BY (PLEASE PRINT) _____

APPROVAL SIGNATURE _____

DATE _____ CONTRACT NO. _____



SECTION A-A



NOTES

1. PRIMARY TANK:
SHELL - 12 GA. HEAD - 12 GA.
CONTAINMENT: 12 GA.
2. MATERIAL - MILD CARBON STEEL
3. TEST AT 5-7 PSIG.
4. ENTIRE UNIT UL LISTED.
5. EXTERIOR FINISH -
6. ALL DIMENSIONS ARE APPROXIMATE

All rights reserved. This drawing or any part thereof must not be reproduced in any form without the written permission of Areo-Power Unitized Fueler, Inc.

AREO-POWER®

TITLE 500 GAL. AREO-POWER TANK MODEL 5072W		REV #	REV DATE
U.S. PATENT # 4895272	CANADIAN PATENT APPLIED FOR		
SCALE 1/2"=1'	DATE 8/1/92	DRAWN BY JF	DWG. NO. APB560