

ITEM	DESCRIPTION
①	3" NORMAL VENT FITTING
②	2"-8 OZ. EMERGENCY VENT - SHIP LOOSE
③	EMERGENCY VENT OVERFLOW CHUTE
④	VENT DEFLECTOR ASSEMBLY
⑤	2" FITTING
⑥	_____
⑦	_____
⑧	_____
⑨	_____
⑩	8" FILL HATCH WITH REMOVABLE STRAINER
⑪	_____
⑫	_____
⑬	_____
⑭	_____
⑮	_____
⑯	1 1/2" L (2)

AUTHORIZATION

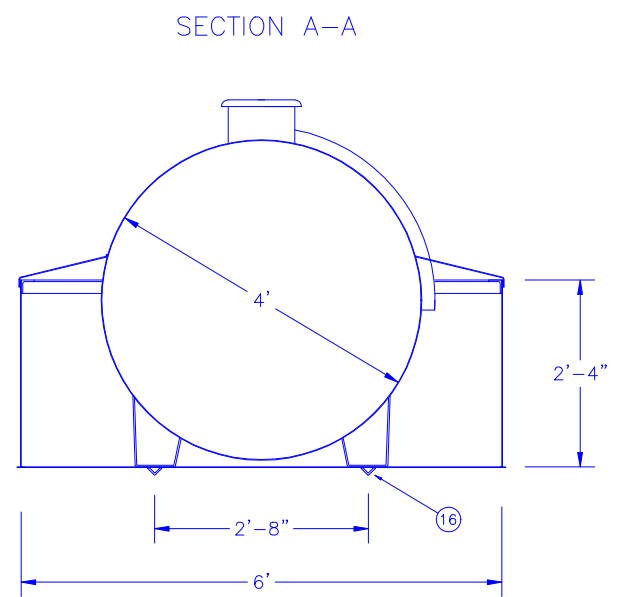
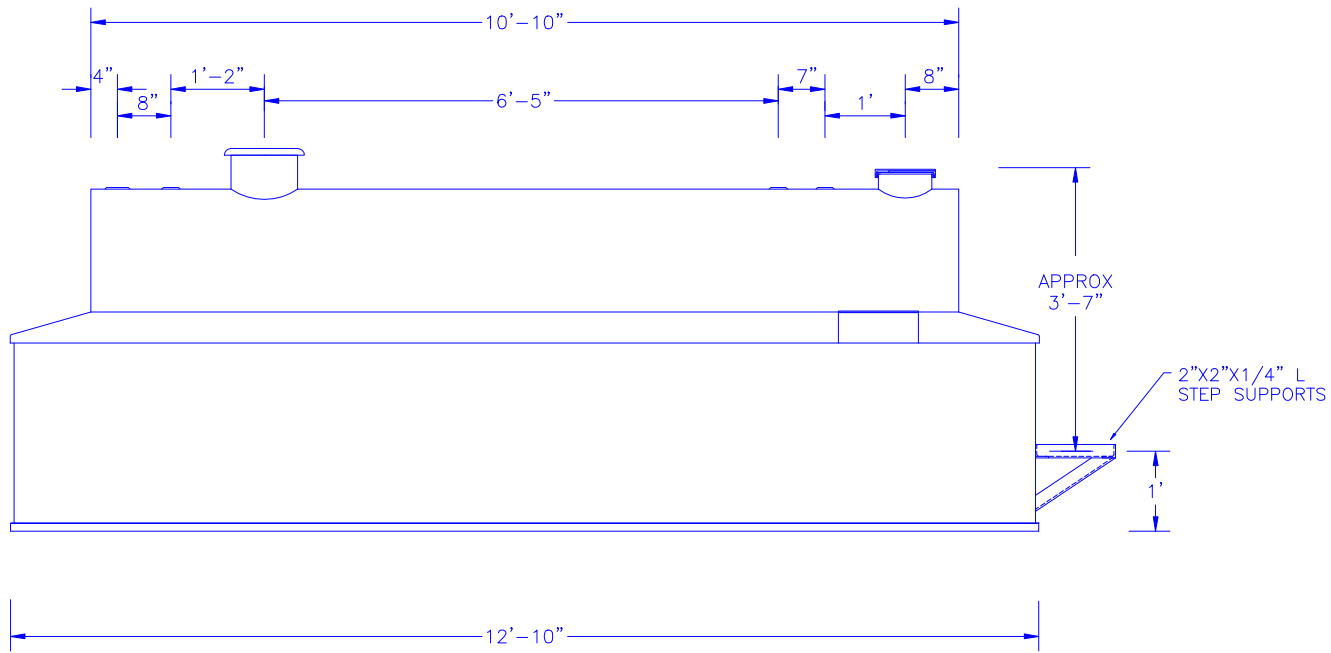
COMPANY NAME

APPROVED BY (PLEASE PRINT)

APPROVAL SIGNATURE

DATE

CONTRACT NO.



- NOTES
1. PRIMARY TANK:
SHELL - 10 GA. HEAD - 10 GA.
CONTAINMENT: 7 GA.
 2. MATERIAL - MILD CARBON STEEL
 3. TEST AT 5-7 PSIG.
 4. ENTIRE UNIT UL LISTED.
 5. EXTERIOR FINISH -
 6. ALL DIMENSIONS ARE APPROXIMATE

All rights reserved. This drawing or any part thereof must not be reproduced in any form without the written permission of Areo-Power Unitized Fueler, Inc.

AREO-POWER®

TITLE	1000 GAL. AREO-POWER TANK MODEL 1072W	REV #	REV DATE
U.S. PATENT #	4895272	CANADIAN PATENT APPLIED FOR	
SCALE	1/2"=1'	DATE	4/15/94
DRAWN BY	JF	DWG. NO.	APB562