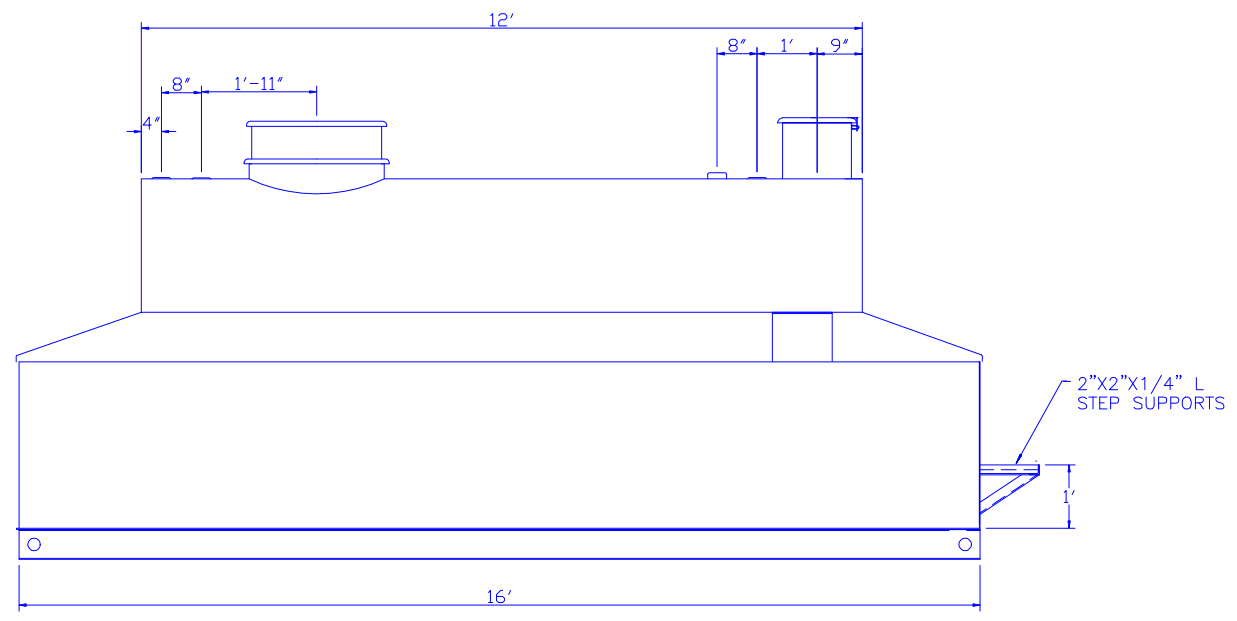
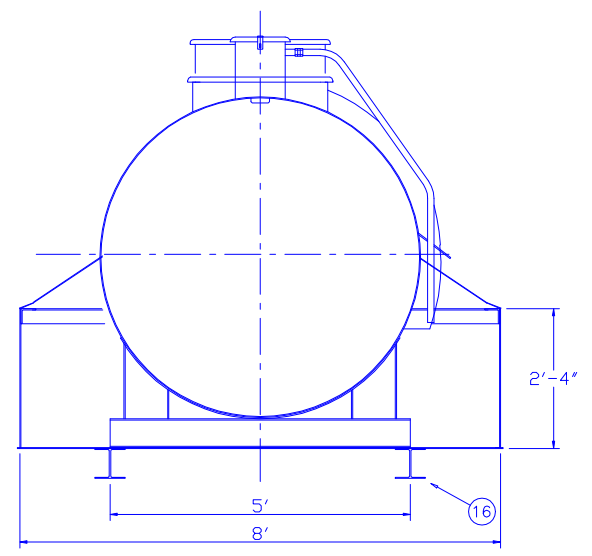


ITEM	DESCRIPTION
①	3" NORMAL VENT FITTING
②	6"-8 OZ. EMERGENCY VENT - SHIPPED LOOSE
③	EMERGENCY VENT OVERFLOW CHUTE .
④	VENT DEFLECTOR ASSEMBLY - SHIPPED LOOSE
⑤	2" FITTING
⑥	
⑦	1" OVERFLOW PIPE - SHIPPED LOOSE
⑧	1" PIPE UNION
⑨	4" FILL FITTING
⑩	FILL CONTAINMENT CHAMBER - NEW 14" DIAMETER SIZE
⑪	
⑫	
⑬	
⑭	
⑮	
⑯	
⑰	6" WF (2)



SECTION A-A



NOTES

- PRIMARY TANK:  
SHELL - 7 GA. HEAD - 7 GA.  
CONTAINMENT: 1/4"
- MATERIAL - MILD CARBON STEEL
- TEST AT 5-7 PSIG.
- ENTIRE UNIT UL LISTED.
- EXTERIOR FINISH -
- ALL DIMENSIONS ARE APPROXIMATE

All rights reserved. This drawing or any part thereof must not be reproduced in any form without the written permission of Areo-Power Utilized Fueler, Inc.

**AREO-POWER** ®

TITLE	2000 GAL. AREO-POWER MODEL 2072	REV #	REV DATE
U.S. PATENT #	4895272	CANADIAN PATENT APPLIED FOR	
SCALE	1/2"=1'	DATE	07/19/99
		DRAWN BY	001
		DWG. NO.	APB565