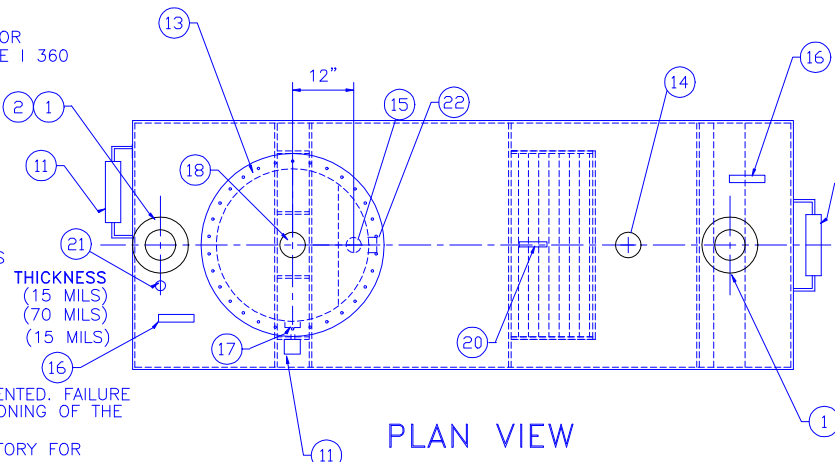


GENERAL SPECIFICATIONS

PAGE 1 OF 2 PAGES: SEE PAGE 2 FOR IMPORTANT GENERAL SPECIFICATIONS

NO. REQ'D: (1)
 CAPACITY: 1000 GALLON OIL WATER SEPARATOR
 TYPE: AREO-POWER, DOUBLE WALL TYPE I 360
 DESIGN: 10 P.P.M.
 15 P.P.M.
 MATERIAL: MILD CARBON STEEL
 ESTIMATED WEIGHT: 3001 lbs.
 FLOW RATE: 100 GPM
 GAUGE: **INNER** **OUTER**
 SHELL- 7GA 10GA
 HEADS- 7GA 10GA
 SURFACE PREP:
 SSPC NO.6 BLAST ALL EXTERIOR SURFACES
 SSPC NO.10 BLAST ALL INTERIOR SURFACES
 COATING: **MATERIAL**
 EXTERIOR- S.T.I.P. 3 - CORROCOTE PLUS
 ACT 100 U - FIBERTHANE
 INTERIOR- CORROCOTE P.W.

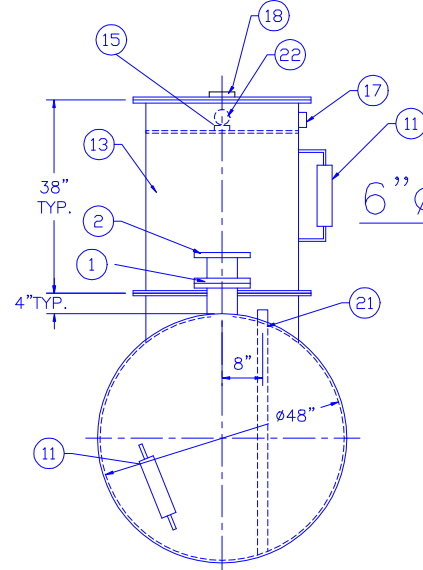


PLAN VIEW

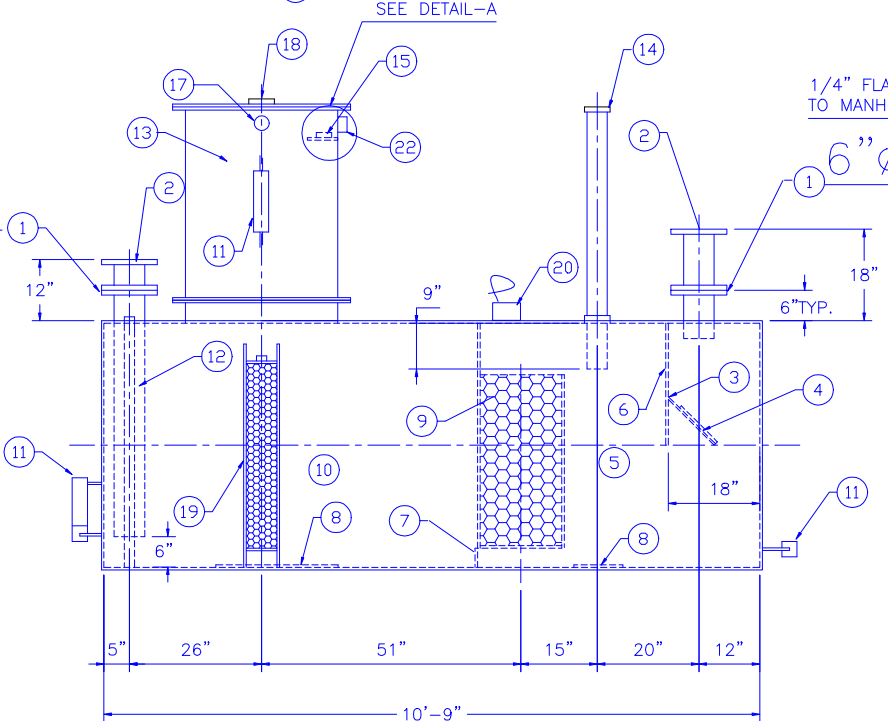
PROVIDED EQUIPMENT

1. 150# R.F.S.O. FLANGE
2. ISOLATION SPOOL PIECE WITH INSULATION KIT
3. VELOCITY HEAD DIFFUSION BAFFLE
4. WEAR PLATE
5. SEDIMENT CHAMBER
6. UNDERFLOW BAFFLE
7. REMOVABLE SLUDGE BAFFLE
8. STRIKER PLATES
9. SYNTHETIC PACK
10. OIL/WATER SEPARATOR CHAMBER
11. SACRIFICIAL ZINC ANODES FOR S.T.I.P. 3 MODEL ONLY
12. OUTLET DOWNCOMER
13. 30"Ø MANWAY WITH BOLT-ON EXTENSION SHIPPED LOOSE
14. 5"ØFTG. W/ 5"ØX4"Ø NYLON BUSHING FTG. FOR OIL PUMPOUT W/ INTERNAL PIPE INSTALLED & RISER PIPE (SHIPPED LOOSE)
15. 3"ØFTG. W/ 3"ØX2"Ø NYLON BUSHING FTG. FOR LEVEL SENSOR
16. LIFTING LUG
17. 3"ØFTG. W/ 3"ØX2"Ø NYLON BUSHING FTG. FOR VENT
18. 5"ØFTG. W/ 5"ØX4"Ø NYLON BUSHING FTG. FOR GAUGE WITH PLUG
19. COALESCER PACKS INSTALLED W/ PULL ROD FOR MODEL 10 PPM ONLY
20. P.P.2 MONITOR LUG FOR S.T.I.P. 3 MODEL ONLY
21. 3"ØFTG. W/ 3"ØX2"Ø NYLON BUSHING FTG. FOR LEAK DETECTION
22. 3"ØFTG. W/ 3"ØX2"Ø NYLON BUSHING FTG. FOR SENSOR CONDUIT

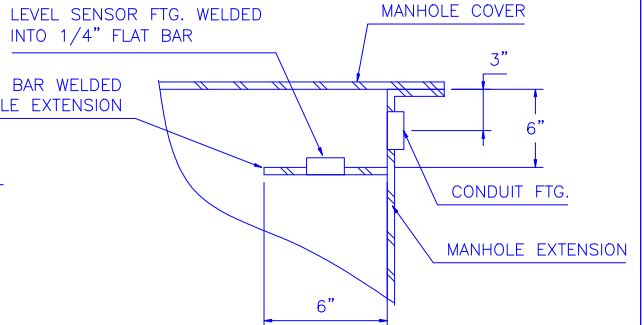
NOTE:
 1. INLETS, OUTLETS, & MANWAYS MUST BE VENTED. FAILURE TO VENT OUTLET CAN RESULT IN THE SYPHONING OF THE UNIT
 2. 15000 VOLT SPARK TEST PROVIDED AT FACTORY FOR FIBERTHANE TANK ONLY



END VIEW



ELEVATION



DETAIL-A

AREO-POWER
 UNITIZED FUELER, INC.
 OIL WATER SEPARATOR
 103 SMITHTOWN BLVD. SMITHTOWN, NY 11787

ALL RIGHTS RESERVED. THIS DRAWING OR ANY PART THEREOF MUST NOT BE REPRODUCED IN ANY FORM WITHOUT WRITTEN PERMISSION OF ANY AREO-POWER UNITIZED FUELER, INC.

CUSTOMER: _____

QUOTE: _____

PROJECT: _____

SCALE: 1/2"=1'-0"	DATE:	DRN. BY:	CHKD BY:	DWG.# AP 1K DW SH
----------------------	-------	----------	----------	----------------------