

GENERAL SPECIFICATIONS

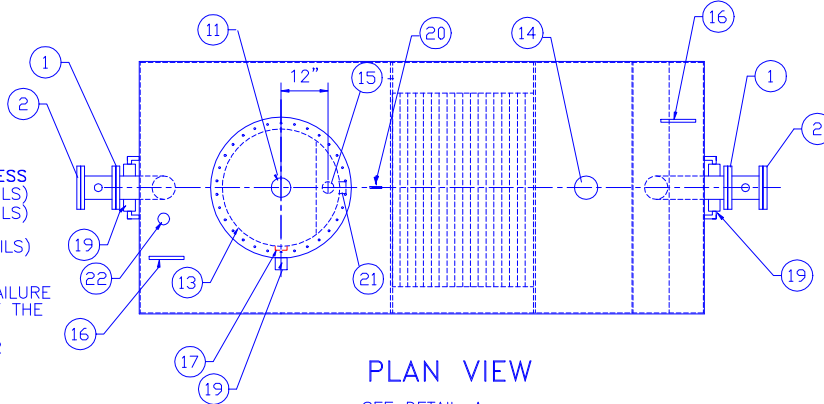
NO. REQ'D: (1)
 CAPACITY: 2000 GALLON OIL WATER SEPARATOR
 TYPE: AREO-POWER , DOUBLE WALL TYPE 1 360
 DESIGN: 10 P.P.M.
 15 P.P.M.
 MATERIAL: MILD CARBON STEEL
 ESTIMATED WEIGHT: 4122 lbs.
 FLOW RATE: 200 GPM
 GAUGE: INNER: OUTER:
 SHELL- 10GA 10GA
 HEADS- 7GA 7GA
 SURFACE PREP:
 SSPC NO.6 BLAST ALL EXTERIOR SURFACES
 SSPC NO.10 BLAST ALL INTERIOR SURFACES
 COATING: MATERIAL
 EXTERIOR- S.T.I.P. 3 - CORROCOTE PLUS
 ACT 100 U - FIBERTHANE
 THICKNESS
 (15 MILS)
 (70 MILS)
 INTERIOR- CORROCOTE P.W. (15 MILS)

NOTE:
 1. INLETS, OUTLETS , & MANWAYS MUST BE VENTED. FAILURE TO VENT OUTLET CAN RESULT IN THE SYPHONING OF THE UNIT
 2. 15000 VOLT SPARK TEST PROVIDED AT FACTORY FOR FIBERTHANE TANK ONLY

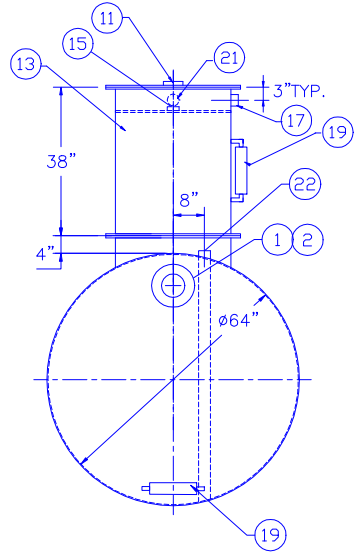
PAGE 1 OF 2 PAGES: SEE PAGE 2 FOR IMPORTANT GENERAL SPECIFICATIONS

PROVIDED EQUIPMENT

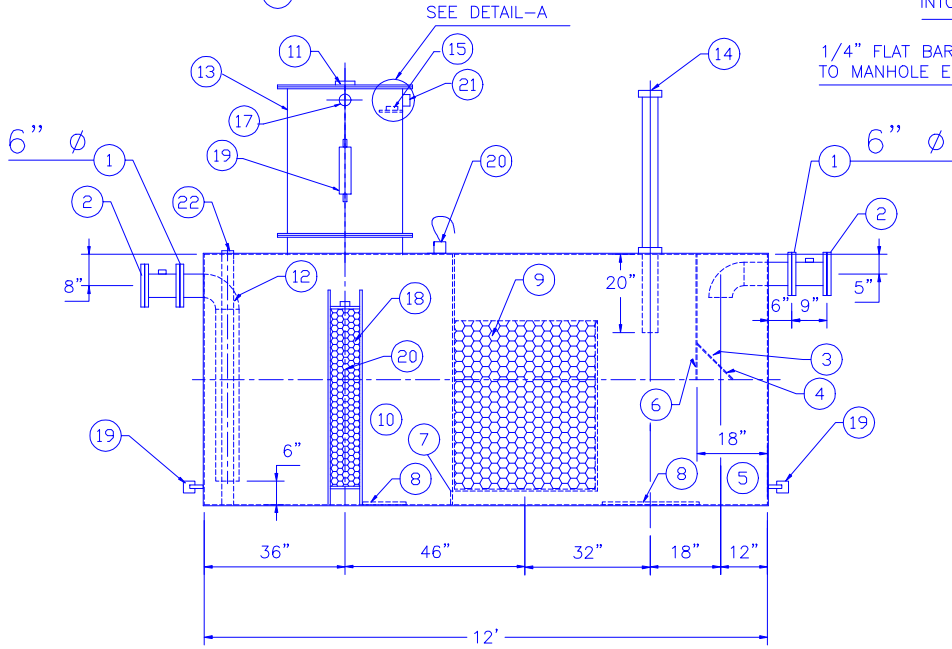
1. 150# R.F.S.O. FLANGE
2. ISOLATION SPOOL PIECE WITH INSULATION KIT & 2" NPT FOR VENT
3. VELOCITY HEAD DIFFUSION BAFFLE
4. WEAR PLATE
5. SEDIMENT CHAMBER
6. UNDERFLOW BAFFLE
7. REMOVABLE SLUDGE BAFFLE
8. STRIKER PLATES
9. SYNTHETIC PACK
10. OIL/WATER SEPARATOR CHAMBER
11. 5"øFTG. W/ 5"øX4"ø NYLON BUSHING FTG. FOR GAUGE WITH PLUG- TYP. BOTH MANWAYS
12. OUTLET DOWNCOMER
13. 30"ø MANWAY WITH BOLT-ON EXTENSION SHIPPED LOOSE
14. 5"øFTG. W/ 5"øX4"ø NYLON BUSHING FTG.FOR OIL PUMP-OUT WITH INTERNAL PIPE INSTALLED & RISER PIPE SHIPPED LOOSE
15. 3"øFTG. W/ 3"øX2"ø NYLON BUSHING FTG. FOR LEVEL SENSOR
16. LIFTING LUG
17. 3"øFTG. W/ 3"øX2"ø NYLON BUSHING FTG. FOR VENT
18. COALESCER PACKS WITH PULL ROD FOR 10 PPM MODEL ONLY
19. SACRIFICIAL ZINC ANODES FOR S.T.I.P. 3 MODEL ONLY
20. P.P.2 MONITORING LUG FOR S.T.I.P. 3 MODEL ONLY
21. 3"øFTG. W/ 3"øX2"ø NYLON BUSHING FTG. FOR SENSOR CONDUIT
22. 3"øFTG. W/ 3"øX2"ø NYLON BUSHING FTG. FOR LEAK DETECTION



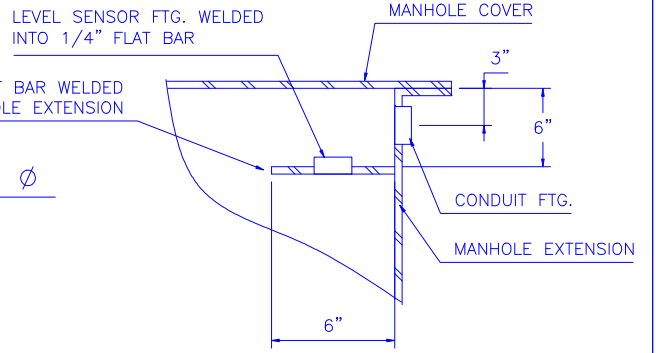
PLAN VIEW



END VIEW



ELEVATION



DETAIL-A

AREO-POWER
 UNITIZED FUELER, INC.
 OIL WATER SEPARATOR
 103 SMITHTOWN BLVD. SMITHTOWN, NY 11787

ALL RIGHTS RESERVED. THIS DRAWING OR ANY PART THEREOF MUST NOT BE REPRODUCED IN ANY FORM WITHOUT WRITTEN PERMISSION OF ANY AREO-POWER UNITIZED FUELER, INC.

CUSTOMER: _____

QUOTE: _____

PROJECT: _____

SCALE: 3/8"=1'-0"	DATE: _____	DRN. BY: _____	CHKD BY: _____	DWG.# AP 2K DW HDS
-------------------	-------------	----------------	----------------	--------------------